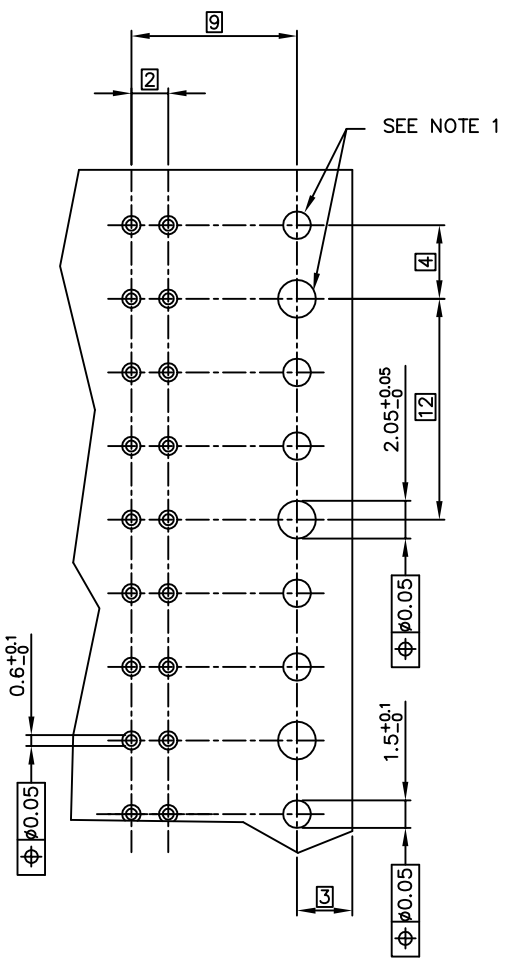
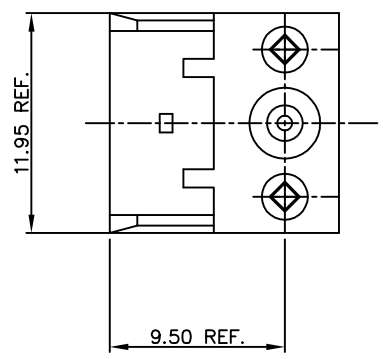
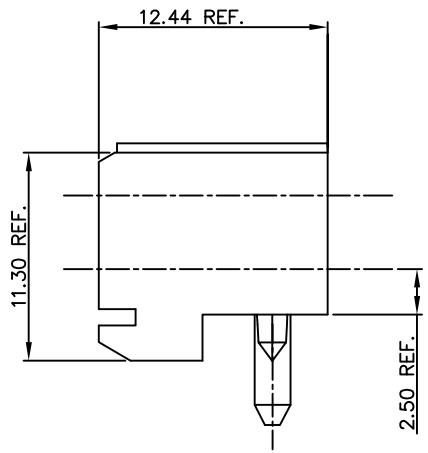
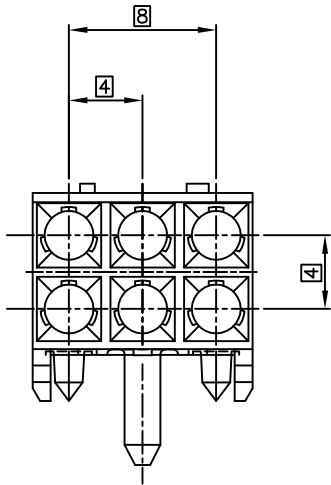
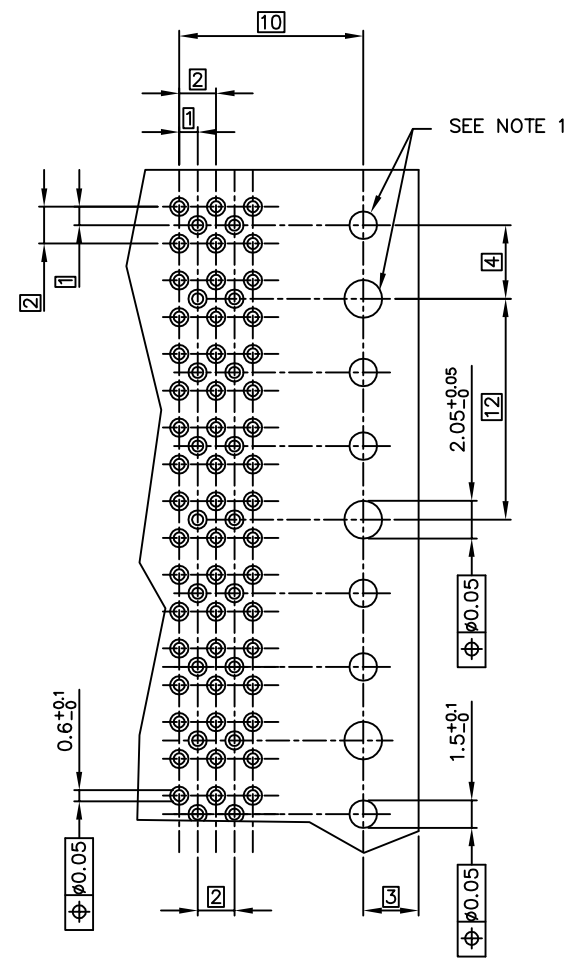


PRODUCT # 70244-101LF

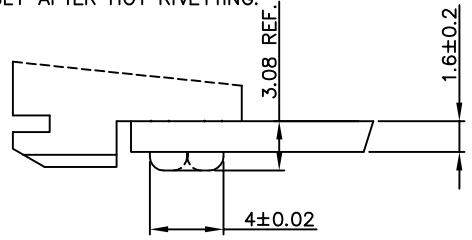


RECOMMENDED HOLE PATTERN,  
COMPONENT SIDE.  
MINI-POWER



RECOMMENDED HOLE PATTERN,  
COMPONENT SIDE.  
MINI-COAX

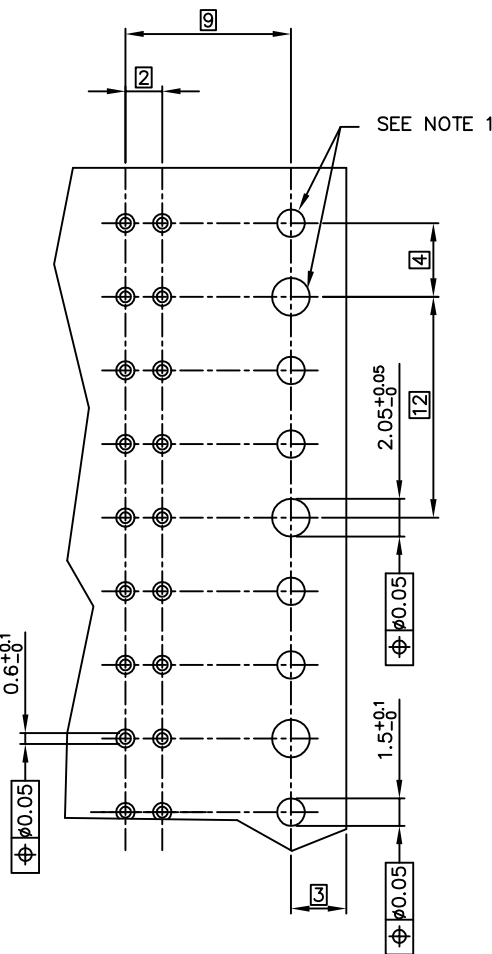
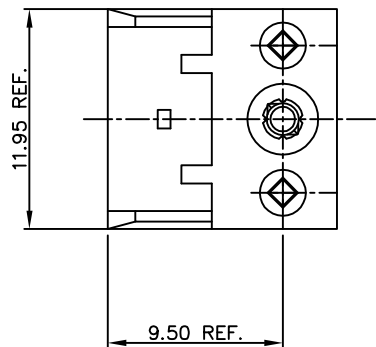
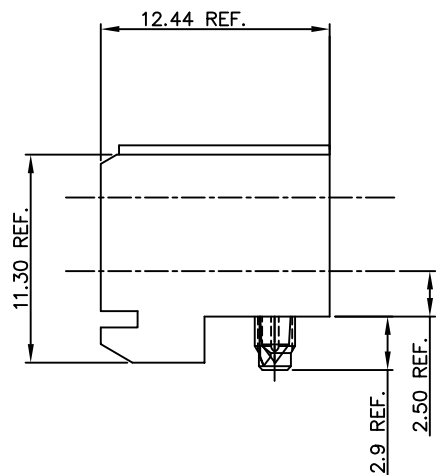
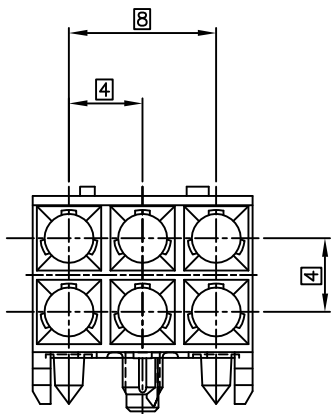
ASSEMBLY AFTER HOT RIVETTING.



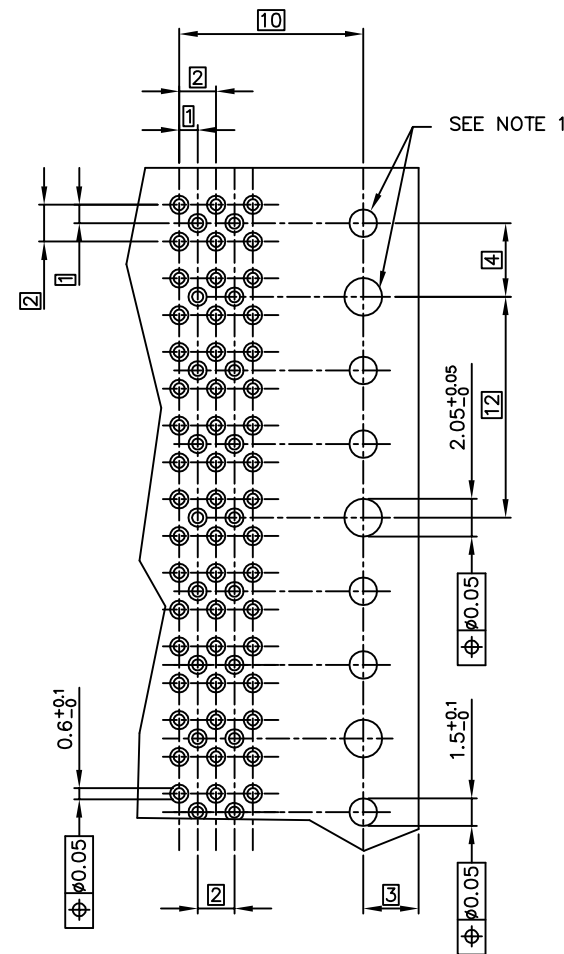
- NOTE:
- INDICATED HOLES ARE UNPLATED.
  - MATERIAL:  
LIQUID CRYSTAL POLYMER 30% GLASS  
FLAME RETARDANT ACC. UL 94-V0  
COLOR NATURAL.
  - THIS PRODUCT WITH "LF" SUFFIX MEETS EUROPEAN UNION DIRECTIVES AND OTHER COUNTRY REGULATIONS AS DESCRIBED IN GS -22-008.
  - THE HOUSING WILL WITHSTAND EXPOSURE TO 260 DEGREE PEAK TEMPERATURE FOR 10 SECONDS IN A WAVE SOLDER APPLICATION WITH A 1.6mm MINIMUM THICK CIRCUIT BOARD.

|                           |          |  |        |                    |                                   |  |
|---------------------------|----------|--|--------|--------------------|-----------------------------------|--|
| mat'l. code<br>SEE NOTE 2 |          | tolerances unless<br>otherwise specified |        | CUSTOMER<br>COPY   | ELECTRONICS<br>www.fciconnect.com |  |
| ltr                       | ecn no   | dr                                       | date   | projection<br>COPY | title<br>R.A. RECEPTACLE          |  |
| H                         | 005-0357 | Clu                                      | 050927 |                    | mm                                | product family<br>MINI-POWER/COAX HEAT STAKE |
| C                         | H20755   | DAN                                      | 921124 | angles             | code<br>213                       |  |
| D                         | H40355   | DOB                                      | 940616 | dr                 | size<br>dwg no                    |  |
| E                         | H50047   | RVI                                      | 950119 | eng                | 70244                             |  |
| F                         | H80710   | DOB                                      | 981023 | chr                | sheet<br>1 of 2                   |  |
| G                         | H90489   | HME                                      | 990816 | app                | sheet                             |  |
| sheet                     | revision | H  | H      | scale              | Index                             |  |
| 1                         | 1        | 2  | 2      | 5:1                | 1                                 |  |

PRODUCT NUMBER 70244-102LF

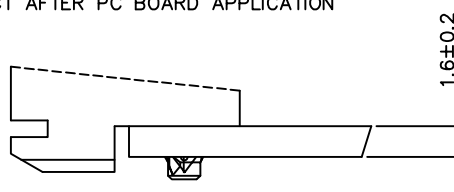


RECOMMENDED HOLE PATTERN,  
COMPONENT SIDE.  
MINI-POWER



RECOMMENDED HOLE PATTERN,  
COMPONENT SIDE.  
MINI-COAX

PRODUCT AFTER PC BOARD APPLICATION



NOTE:

- INDICATED HOLES ARE UNPLATED.
- MATERIAL:  
LIQUID CRYSTAL POLYMER 30% GLASS  
FLAME RETARDANT ACC. UL 94-V0  
COLOR NATURAL.
- THIS PRODUCT WITH "LF" SUFFIX MEETS EUROPEAN UNION DIRECTIVES AND OTHER COUNTRY REGULATIONS AS DESCRIBED IN GS -22-008.
- THE HOUSING WILL WITHSTAND EXPOSURE TO 260 DEGREE PEAK TEMPERATURE FOR 10 SECONDS IN A WAVE SOLDER APPLICATION WITH A 1.6mm MINIMUM THICK CIRCUIT BOARD.

|                           |          |  |              |                  |            |  |            |
|---------------------------|----------|--|--------------|------------------|------------|--|------------|
| mat'l. code<br>SEE NOTE 2 |          | tolerances unless<br>otherwise specified |              | CUSTOMER<br>COPY |            | <b>ELECTRONICS</b><br>www.fciconnect.com |            |
| ltr                       | ecn no   | dr                                       | date         | linear           | projection | title<br>R.A. RECEPTACLE                 |            |
| H                         |          |  |              | angles           |            | MINI-POWER/COAX PRESS PEG                |            |
|                           |          | dr                                       | D. de Bill   | 940616           | mm         | product family                           | TRIAL (tm) |
|                           |          | eng                                      | E. Feijen    | 940616           | scale      | code                                     | 213        |
|                           |          | chr                                      | E. Feijen    | 940616           | 5:1        | sheet                                    | 2 of -     |
|                           |          | app                                      | H. Cozijnans | 950119           |            | size                                     | dwg no     |
| sheet                     | revision |  |              | A2               |            | 70244                                    |            |
| Indx                      | shee     |  |              |                  |            |  |            |

PDM: Rev.H

STATUS: Released

Printed: Nov 29, 2007